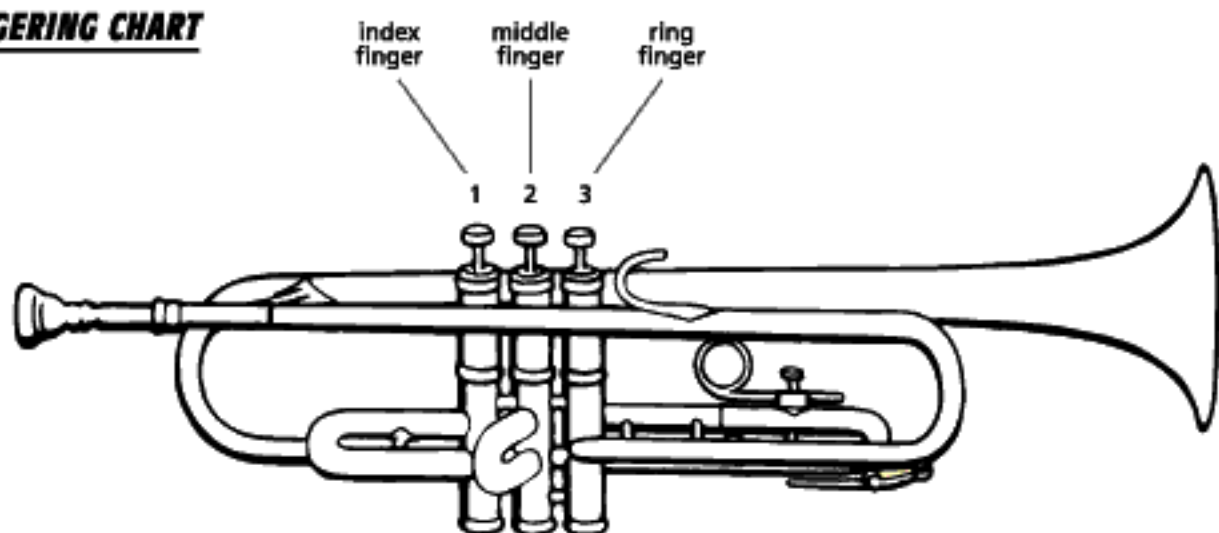


# TRUMPET FINGERING CHART



F $\sharp$  G $\flat$  G G $\flat$  A $\flat$  A A $\sharp$  B $\flat$

1 2 3 1 3 2 3 1 2 1

B C C $\sharp$  D $\flat$  D D $\sharp$  E $\flat$

2 0 1 2 3 1 3 2 3

E F F $\sharp$  G $\flat$  G G $\sharp$  A $\flat$

1 2 1 2 0 2 3

A A $\sharp$  B $\flat$  B C C $\sharp$  D $\flat$

1 2 1 2 0 1 2

D D $\sharp$  E $\flat$  E F F $\sharp$  G $\flat$  G

1 2 0 1 2 0

G $\sharp$  A $\flat$  A A $\sharp$  B $\flat$  B C

2 3 1 2 1 2 0